

U-shape Photo Sensor

SU30

◆ Characteristic / 特點 :

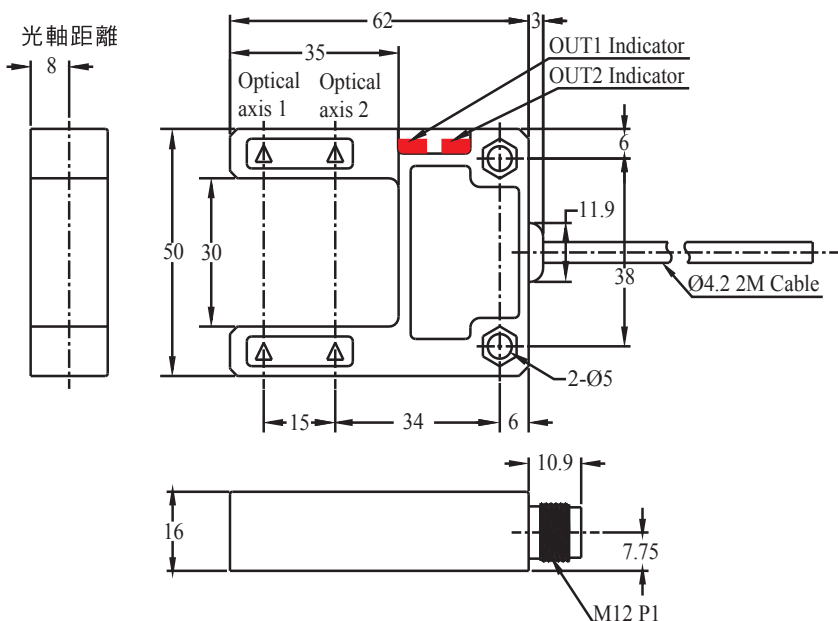
- Two indicators (OUT1 Indicator/OUT2 Indicator). Easy to recognize.
/ 雙指示燈(OUT1 Indicator/OUT2 Indicator)容易辨認。
- The distance is 7mm between front edge and first optic axis. The distance is 15mm between two optic axes.
/ 第一光軸與前端相距7mm, 兩光軸相距15mm。
- Two optic axes react respectively.
/ 兩光軸各自獨立感應。



◆ Specifications / 規格表 :

Model / 型號	NPN D.on	SU30-2N	SU30-2NK1
	PNP D.on	SU30-2P	SU30-2PK1
Sensing distance / 檢出距離	30 mm		
Min. detection object / 最小檢測物	Opaque / 非透明體 (Ø1.0 x 10.0mm)		
Emitting light / 發光源	Infrared LED 940 nm		
Operating voltage / 工作電壓	DC12 ~ 24 V		
Current Consumption / 消耗電流	30 mA Max.		
Load current / 負載電流	100mA Max. at DC24V		
Response time / 反應時間	1 ms Max.		
Ambient illumination/使用環境光源	Incandescent light / 白光 : 1,000 lux max.		
Insulation resistance / 隔離阻抗	20MΩ min. (DC500V)		
Voltage withstandability / 絕緣耐壓	AC500V 60Hz for 60 Sec.		
Operating temperature/工作溫度範圍	-20°C ~ +60°C		
Ambient humidity/溼度範圍	35% ~ 85% RH 相對溼度		
Protection degree / 防水等級	IP64		
Vibration resistance / 耐震頻率	1.5 mm peak to peak amplitude, 10 to 55 Hz, 2 hours in X,Y and z directions		
Shock resistance / 耐震度	50 G repeated 10 times each in X,Y and Z directions		
Material / 外觀材質	PC		
Wiring method / 出線方式	Pre-wired Ø4.2 x 2 M / 4-wires	M12 Plug-in connector type / M12接頭式	
Weight / 重量	Approx.86g		Approx.26g

◆ Dimensions / 尺寸圖 : (unit:mm)



◆ Wiring diagrams / 接線圖 :

