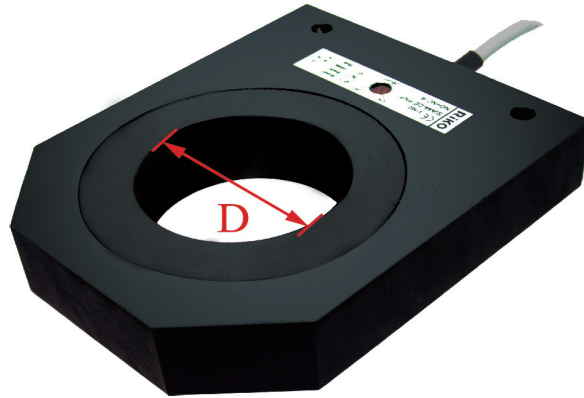


◆ Shape :

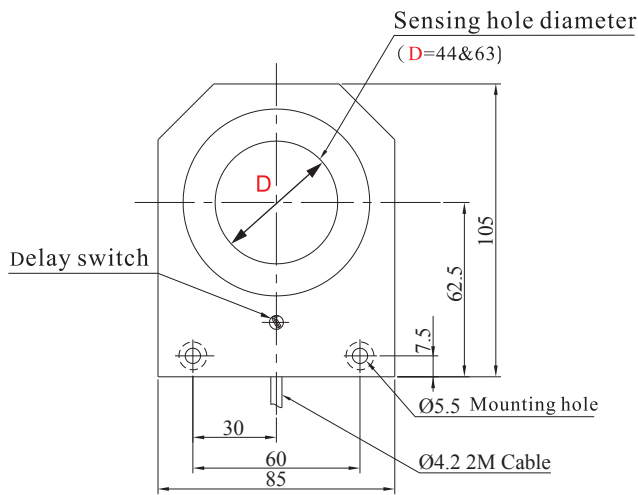


◆ Specifications :

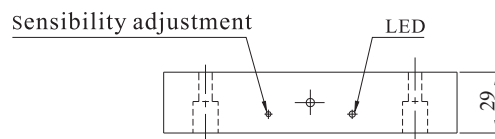
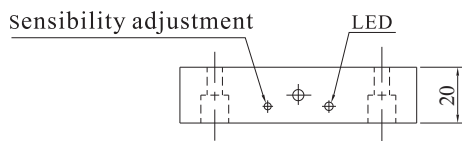
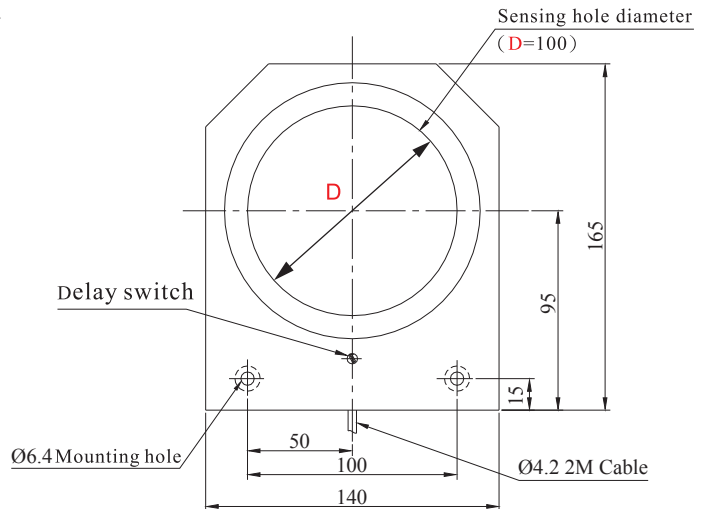
Output method	NPN N.O./N.C.	SIA44-N	SIA63-N	SIA100-N
	PNP N.O./N.C.	SIA44-P	SIA63-P	SIA100-P
Sensing hole diameter		D=44mm	D=63mm	D=100mm
Min. detecting object		5mm min.		10mm min.
Operating voltage		DC 10 ~ 30V		
Current consumption		15 mA		
Load current		100 mA Max. at DC 24V		
Operating temperature		-20°C ~ +60°C		
Protection degree		IP 65		
Wiring method		Ø4.2 x 2 M / 4-wires		
Recommended power unit		ST - 1 . ST - T2		
Weight		Approx.260g	Approx.220g	Approx.710g

◆ Dimensions : (unit:mm)

SIA44-□ / SIA63-□



SIA100-□



Inductive / Capacitive Proximity Sensor

PSD18-LA/LV
PSC18-LA/LV
SC18-LA/LV

HPD
HPS

Ø4
M5
Ø6
M8
M12
M18
M30

JN
JND
KND
PN
PND
RN
SN
TSN

SID
SIR
SIA

PKG
KC
KCM
KCP