

Ultra-long Sensing Range Photo Sensor

R5JM

◆ Characteristic /

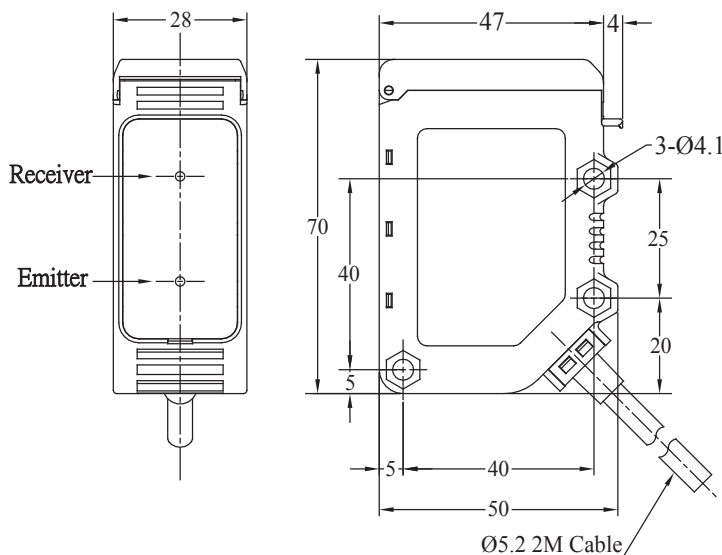
- Special protective hood against waterdrop and dust.
- Its special design enhances more durable and rigid.
- Through beam sensing distance 50M.
- Timer function : On-delay / Off-delay.



◆ Specifications /

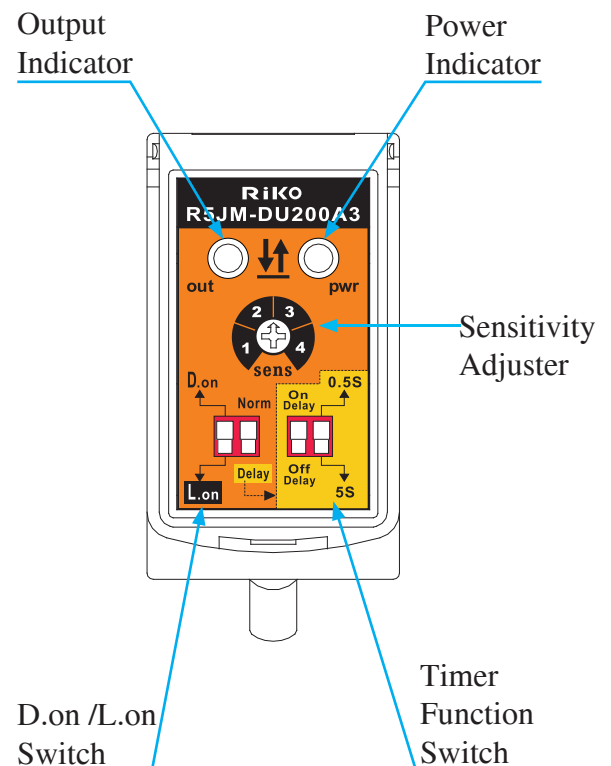
Model	R5JM-DU200A3	R5JM-50A3
Sensing type	Diffuse reflection	Through beam
Sensing distance	200cm	50m
Emitting Light	Infrared LED 850nm	
Operating voltage	AC90 ~ 260V DC24~30V	
Current Consumption	40 mA	
Load current	Relay : DC30V 5A/ AC250V 5A	
Output type	Relay out: Com./No.	
Response time	20 ms Max.	
Insulation resistance	20MΩ min. (DC500V)	
Voltage withstandability	AC1000V 60Hz for 60 Sec.	
Operating temperature	-25°C ~ + 60°C	
Ambient humidity	35% ~ 85% RH	
Protection degree	IP65	
Material	ABS	
Wiring method	Ø5.2 x 2 M / 4-wires	(Receiver) Ø5.2 x 2 M / 4-wires / (Emitter) Ø5.2 x 2 M / 2-wires
Weight	Approx.123.5g	Approx.247g

◆ Dimensions : (unit:mm)



◆ Functions manual of panels :

- **A3 Output or Receiver**



◆ Wiring diagrams

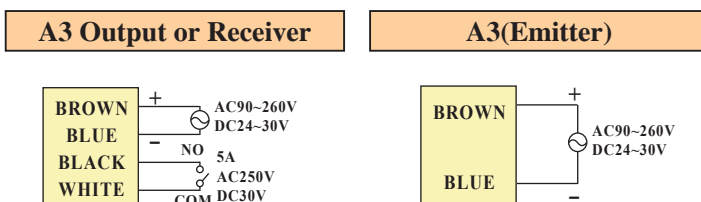


Photo / Area Photo / Ultrasonic Sensor

R5JM /R3JK

PTQ18

PMF /RMF /MMF

PK3 /PK5 /PM6

SU /SU15 /SU07 /SU30

SPR /RX

OAP /ASP

RU18