

Superior Waterproof T-style Photo Sensor

PTQ18

◆ Characteristic :

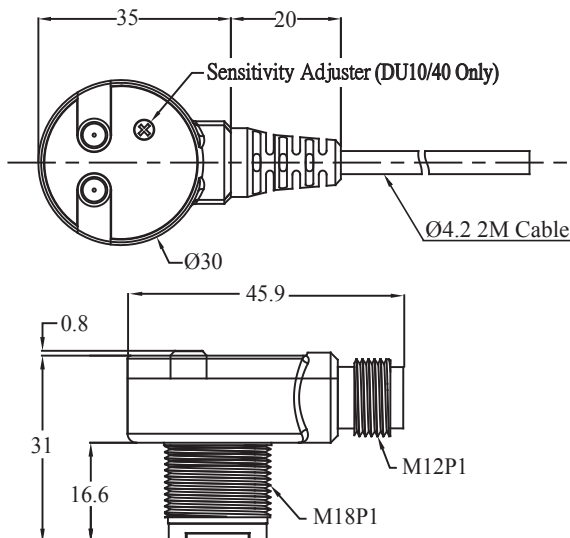
- T-shaped 31mm housing design, saving space.
- Bright Dual LED output indicators.
- Superior waterproof IP67.
- Through beam type : SD=20M.
- NP model : NPN+PNP L.on/D.on 4-in-1 outputs.



◆ Specifications :

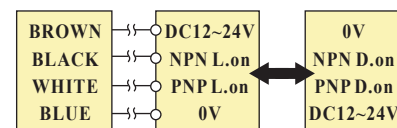
Model	NPN L.on/D.on	PTQ18-DU10/40N	PTQ18-DU10/40NK1	PTQ18-20N	PTQ18-20NK1
	PNP L.on/D.on	PTQ18-DU10/40P	PTQ18-DU10/40PK1	PTQ18-20P	PTQ18-20PK1
	NPN L.on/D.on PNP L.on/D.on	PTQ18-DU10/40NP	PTQ18-DU10/40NPK1	PTQ18-20NP	PTQ18-20NPK1
Sensing type	Diffuse reflection			Through beam	
Sensing distance	10cm / 40cm , white paper 10 x 10 (10/40cm)			20M	
Emitting light	Infrared LED 850 nm				
Operating voltage	DC12 ~ 24 V				
Current Consumption	20mA Max.			(Receiver)20mA Max. (Emitter)18mA Max.	
Load current	100mA Max. at DC24V				
Response time	1.5 ms Max.			7 ms Max.	
Insulation resistance	20MΩ min. (DC500V)				
Voltage withstandability	AC1000V 60Hz for 60 Sec.				
Operating temperature	- 20 °C ~ + 60 °C				
Ambient humidity	35% ~ 85% RH				
Protection degree	IP67				
Material	ABS				
Wiring method	PTQ18-□N/P/NP	Ø4.2 x 2 M / 4-wires		(Receiver) Ø4.2 x 2 M / 4-wires / (Emitter) Ø4.2 x 2 M / 2-wires	
	PTQ18-□K1	M12 plug-in connector type			
Weight	PTQ18-□N/P/NP	Approx.68.5g		Approx.137g	
	PTQ18-□K1	Approx.18g		Approx.36g	

◆ Dimensions : (unit:mm)

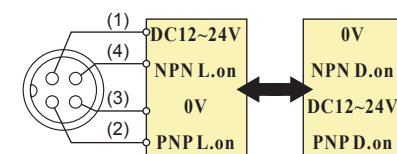


◆ Wiring diagrams :

NP Output



NPK1 Output



- (1)BROWN (3)BLUE
(2)WHITE (4)BLACK