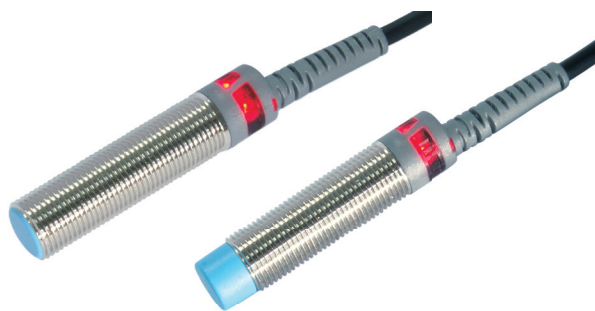


## ◆ Characteristic / 特點 :

- Special line-out design for bending resistance and tensile.it will upgrade the durability and life.  
/ 獨特的出線包覆設計，抗拉、耐彎曲，提升耐用度和壽命。
- The IP67 rating is designed to the effective waterproof.  
/ 保護結構達到IP67的規格，能有效的防水。
- DC 2-wire output model available.  
/ DC二線式輸出，省配線。
- NP model : NPN+PNP NO/NC 4-in-1 outputs.  
/ 新型NP電路：NPN/PNP NO/NC All in one.



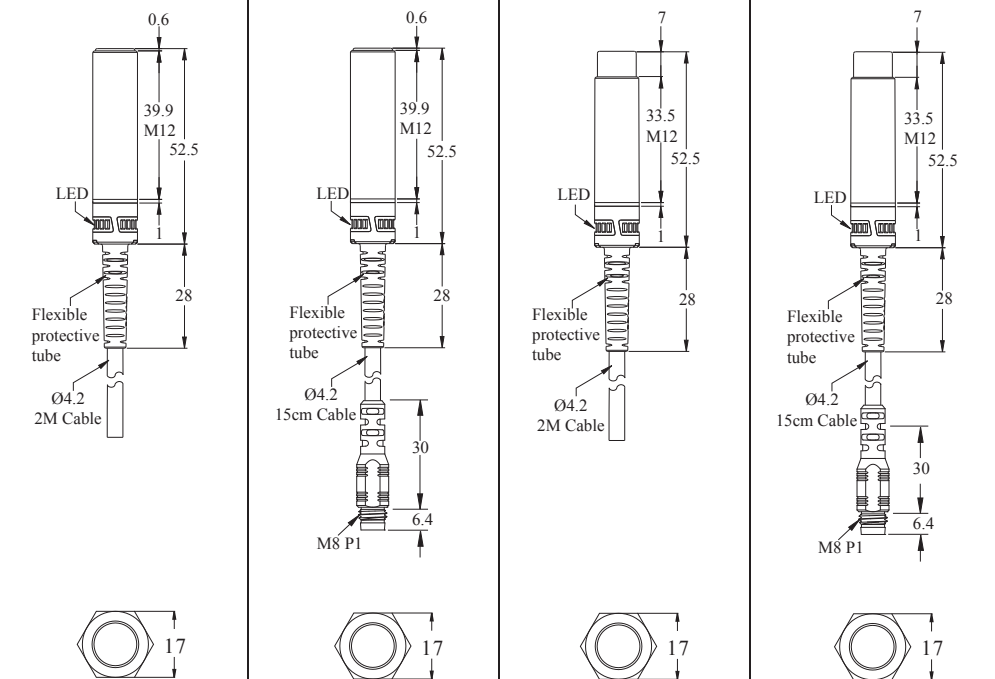
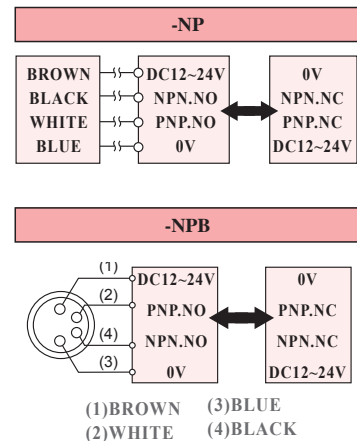
## ◆ Specifications / 規格表 :

Output method / 輸出模式	NPN N.O.	<b>PSC1203-N</b>	<b>PSC1203-ND</b>	<b>PSC1206-N</b>	<b>PSC1206-ND</b>
	PNP N.O.	<b>PSC1203-P</b>	<b>PSC1203-PD</b>	<b>PSC1206-P</b>	<b>PSC1206-PD</b>
	NPN N.O./N.C. PNP N.O./N.C.	<b>PSC1202-NP</b>	<b>PSC1202-NPB</b>	<b>PSC1205-NP</b>	<b>PSC1205-NPB</b>
	2 WIRES N.O.	<b>PSC1202-C</b>	-	<b>PSC1205-C</b>	-
	2 WIRES N.C.	<b>PSC1202-C2</b>	-	<b>PSC1205-C2</b>	-
Sensing distance / 檢出距離	3 mm / 2 mm / 2 mm			6 mm / 5 mm / 5 mm	
Secure sensing distance / 建議距離	0 to 2.4 mm / 0 to 1.6 mm / 0 to 1.6 mm			0 to 4.8 mm / 0 to 4 mm / 0 to 4 mm	
Standard sensing object / 標準檢測物	Iron 12 × 12 × 1 mm				
Sensing type / 檢出方式	Shielded / 隔離型			Unshielded / 非隔離	
Description / 外型	Standard M12 / 標準M12				
Hysteresis / 遲滯	≤ 10 % of sensing distance				
Response time / 反應時間	1 ms Max.				
Operating voltage / 工作電壓	DC 12 ~ 24 V / DC 24 V ± 10%				
Current consumption / 消耗電流	≤ 14 mA no-load (Not for C/ C2)				
Load current / 負載電流	100 mA Max. at DC 24V				
Leakage current / 漏電流	≤ 1.1 mA no-load / ≤ 0.7 mA no-active				
Residual voltage / 殘餘電壓	≤ DC 2V / ≤ DC 7V				
Insulation resistance / 隔離阻抗	20MΩ min. (DC500V)				
Voltage withstandability / 絕緣耐壓	AC1000V 60Hz for 60 Sec.				
Operating temperature / 工作溫度	-20°C ~ + 60°C				
Protection degree / 防水等級	IP 67				

Wiring method / 出線方式	N/P:Ø4.2x2M/3-wires NP:Ø4.2x2M/4-wires 2W:Ø4.2x2M/2-wires	M8 pigtailed type / M8接頭15cm電線式	N/P:Ø4.2x2M/3-wires NP:Ø4.2x2M/4-wires 2W:Ø4.2x2M/2-wires	M8 pigtailed type / M8接頭15cm電線式
Weight / 重量	Approx.64g	Approx.48.4g	Approx.65g	Approx.49.4g

## ◆ Dimensions / 尺寸圖 : (unit:mm)

## ◆ Wiring diagrams / 接線圖 :



Inductive / Capacitive Proximity Sensor

PSD18-LA/LV  
PSC18-LA/LV  
SC18-LA/LV

HPD  
HPS

Ø4  
M5  
Ø6  
M8  
M12  
M18  
M30

JN  
JND  
KND  
PN  
PND  
RN  
SN  
TSN

SID  
SIR  
SIA

PKC  
KC  
KCM  
KCP