

◆ Characteristic

- 1/2 smaller dimension than old models.
- Dual LED motion indicators.
- NPN /PNP NO or NC 4-in-1 outputs.
- Protection rating IP67.



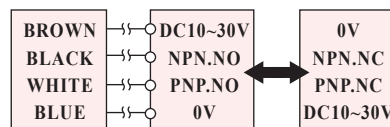
◆ Specifications

Output method	NPN N.O./N.C. PNP N.O./N.C.	PN20-NP	PN25-NP	PN20-NPK	PN25-NPK
Sensing distance		20 mm	25 mm	20 mm	25 mm
Secure sensing distance		0 to 16 mm	0 to 20 mm	0 to 16 mm	0 to 20 mm
Standard sensing object		Iron 40 x 40 x 1mm			
Sensing Surface		Top surface			
Hysteresis		≤ 10 % of sensing distance			
Response time		20 ms Max.			
Operating voltage		DC 10 ~ 30V			
Current consumption		≤ 16 mA no-load			
Load current		100 mA Max. at DC 24V			
Leakage current		≤ 1.1 mA no-load			
Residual voltage		≤ DC 1.5V			
Insulation resistance		20M Ω min. (DC500V)			
Voltage withstandability		AC1000V 60Hz for 60 Sec.			
Operating temperature		-20 °C ~ + 60°C			
Protection degree		IP 67		IP 67	
Wiring method		Ø5.2x2M / 4-wires		M12 pigtailed type	
Option (Page 251)		Bracket : PN20-M001 / PN20-M002			
Weight		Approx.128g		Approx.80g	

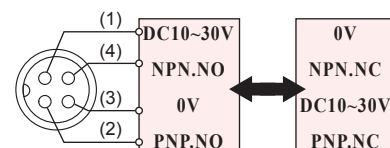
◆ Dimensions : (unit:mm)

◆ Wiring diagrams :

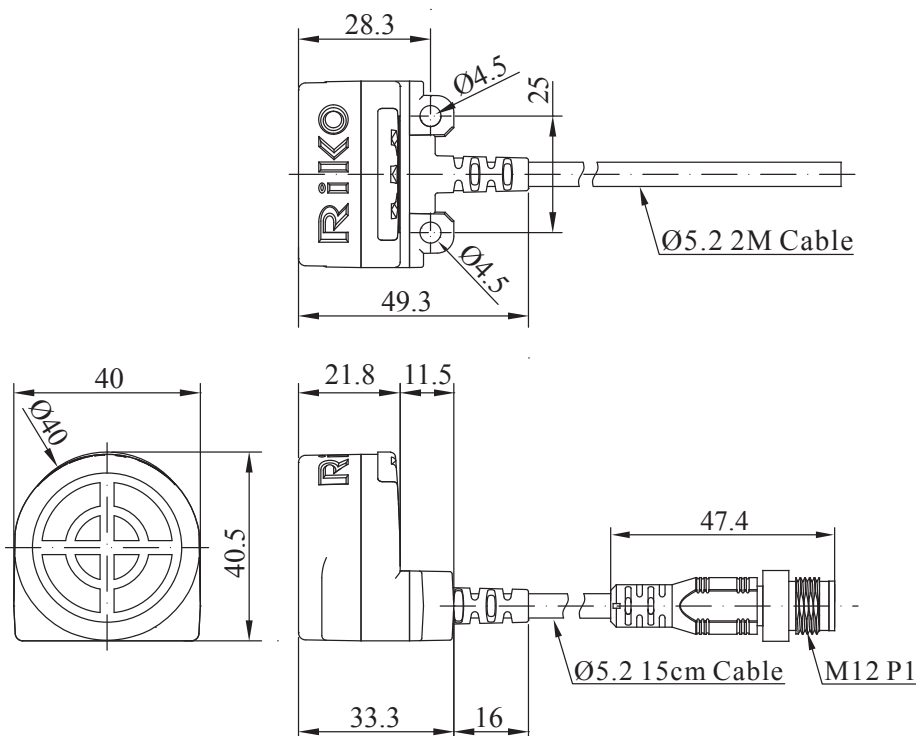
-NP



-NPK



(1)BROWN (3)BLUE
(2)WHITE (4)BLACK



Inductive / Capacitive Proximity Sensor

PSD18-LA/LV
PSC18-LA/LV
SC18-LA/LV

HPD
HPS

Ø4
M5
Ø6
M8
M12
M18
M30

JN
JND
KND
PN
PND
RN
SN
TSN

SID
SIR
SIA

PKG
KC
KCM
KCP